



SUD, SPRINT (1971-1989), 33 (1983-1995)

PRICING INFORMATION

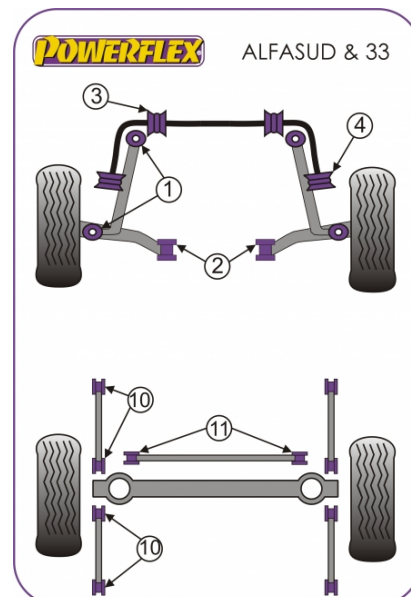
The prices shown on our website are per bush.

To get the total pack price you will need to multiple this price by the number of bushes per vehicle.

Bush Price x Qty Per Car = Pack Price

Notes

- PFR1-110 Does not fit the 4x4 models
- Early models, upto 1981, have a 22mm ARB (PFF1-103-22) with a reduced diameter at the end 14mm (PFF1-104-14).
- Later models 1981 on, use an 18mm bar (PFF1-103-18) and an 18mm end bush (PFF1-104-18)



In addition to the Road Series parts listed please check the Black Series website for other bushes suitable for this car that may be more suited to Track/Race use.



FRONT TIE BAR BUSH

Qty Per Car **4**

exc. VAT **£19.58**

Diagram Ref. **1**

inc. VAT **£23.50**

Part No. **PFF1-101**



FRONT INNER WISHBONE BUSH

Qty Per Car **2**

exc. VAT **£19.58**

Diagram Ref. **2**

inc. VAT **£23.50**

Part No. **PFF1-102**



FRONT ANTI ROLL BAR TO CHASSIS BUSH 18MM

Qty Per Car **2**

exc. VAT **£11.95**

Diagram Ref. **3**

inc. VAT **£14.34**

Part No. **PFF1-103-18**



FRONT ANTI ROLL BAR TO CHASSIS BUSH 22MM

Qty Per Car **2**

exc. VAT **£11.95**

Diagram Ref. **3**

inc. VAT **£14.34**

Part No. **PFF1-103-22**



ANTI ROLL BAR TO ARM BUSH 14MM

Qty Per Car **2**

exc. VAT **£11.95**

Diagram Ref. **4**

inc. VAT **£14.34**

Part No. **PFF1-104-14**



ANTI ROLL BAR TO ARM BUSH 18MM

Qty Per Car **2**

Diagram Ref. **4**

Part No. **PFF1-104-18**

exc. VAT **£11.95**

inc. VAT **£14.34**



REAR BEAM TIE BAR BUSH

Qty Per Car **8**

Diagram Ref. **10**

Part No. **PFR1-110**

exc. VAT **£14.96**

inc. VAT **£17.95**



REAR BEAM LINK LOCATION BUSH

Qty Per Car **2**

Diagram Ref. **11**

Part No. **PFR1-111**

exc. VAT **£14.96**

inc. VAT **£17.95**
